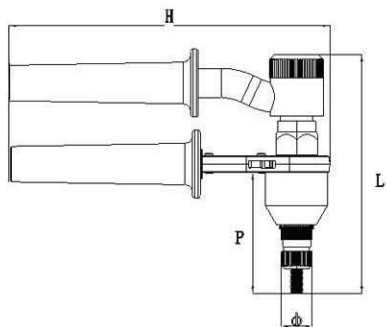
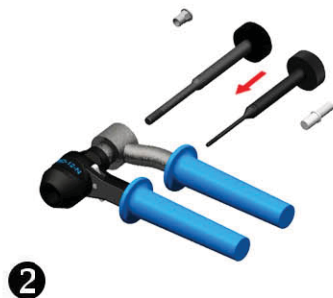
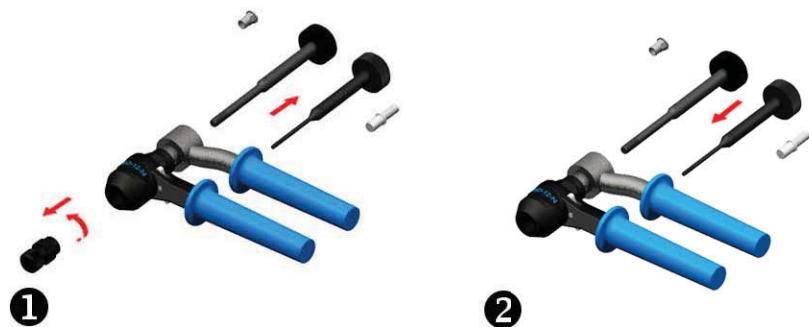


How Changing Mandrel+Anvil/Puller?



Weight	L	H	P	Ø
1kg	160mm	200mm	80mm	20

TELEFON: +49 - (0) 211 - 24 50 00 - 0 / TELEFAX: +49 - (0) 211 - 24 50 00 - 250
 e-mail: info@blindniete.org / Internet: www.blindniete.org

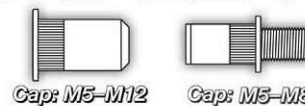


Riveting Tool Operation Instruction

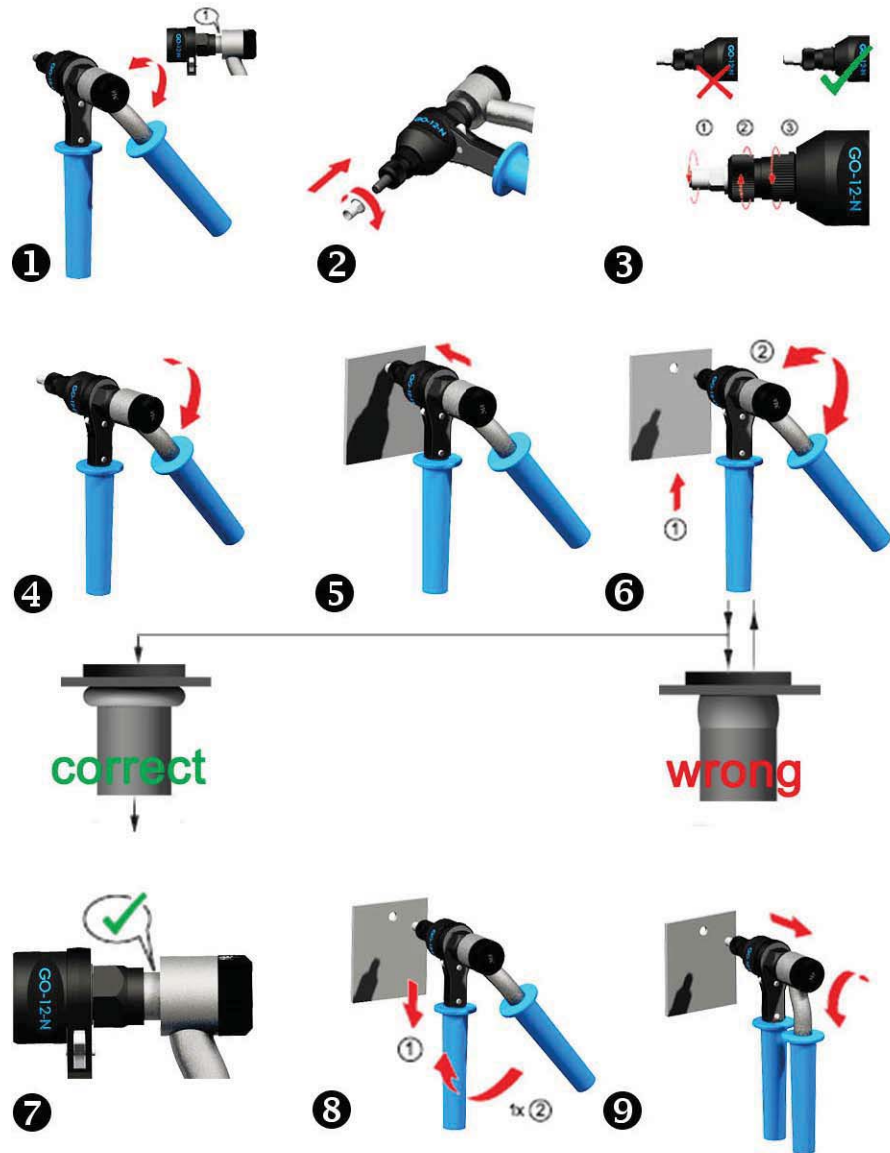
GO-12-N



GO-12-N



How Riveting a GO-Nut ?



How Riveting a GO-Bolt ?

